

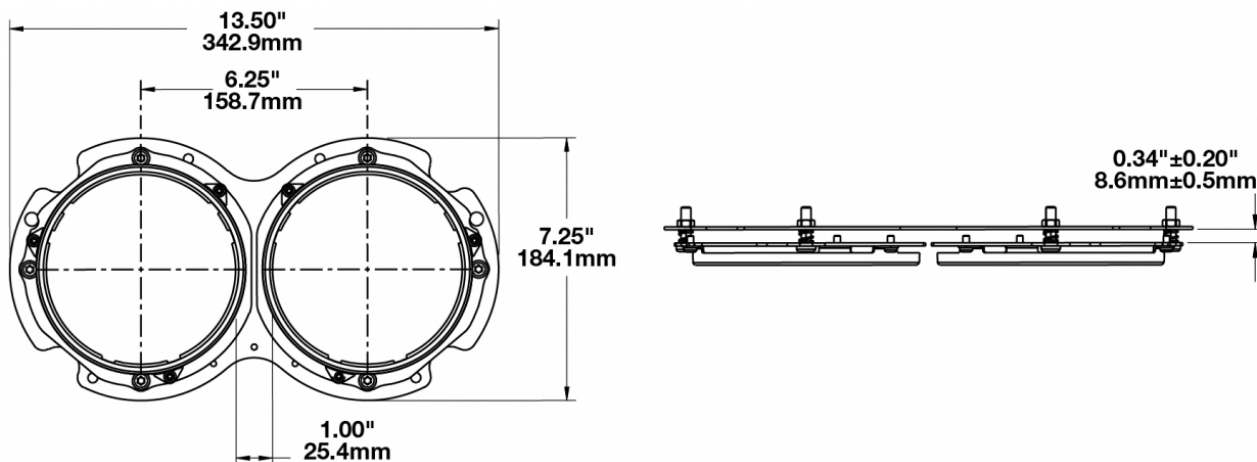
# Double Ring Kit Mounting Assembly for LED Headlight Model 8630

## PRODUCT INFORMATION

<b>Description</b>	Double Ring Kit Mounting Assembly for LED Headlight Model 8630
<b>Height</b>	342.90 mm / 13.5 in
<b>Width</b>	184.15 mm / 7.25 in
<b>Product Weight</b>	1.45 lbs / 0.66 kgs
<b>Shipping Weight</b>	2.06 lbs / 0.93 kgs



## PRODUCT DIMENSIONS



Print date: 2024-08-16

© 2024 J.W. Speaker Corporation • Germantown, WI U.S.A.  
www.jwspeaker.com • speaker@jwspeaker.com • 262.251.6660

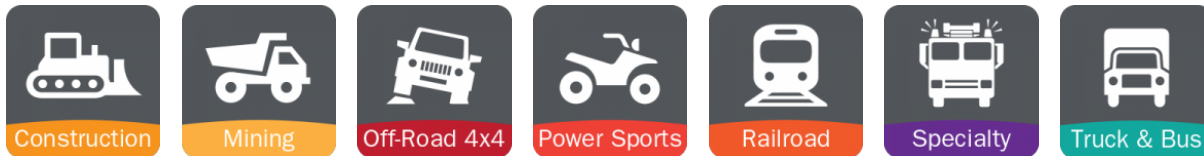
# Double Ring Kit Mounting Assembly for LED Headlight Model 8630

## REGULATORY STANDARDS COMPLIANCE



Buy America Standards

## APPLICATIONS



## PRODUCT WARNINGS

For California residents:

**⚠ WARNING:** Cancer and reproductive harm - [www.P65Warnings.ca.gov](http://www.P65Warnings.ca.gov).

**⚠ AVERTISSEMENT:** Cancer et effet nocif sur la reproduction - [www.P65Warnings.ca.gov](http://www.P65Warnings.ca.gov).

## SUITS THESE PRODUCTS



**5.75" Round Headlights**

LED Headlights - Model 8630 Evolution



**5.75" Round Headlights with Turn Signal**

LED Headlight - Model 8631 Evolution

Print date: 2024-08-16

© 2024 J.W. Speaker Corporation • Germantown, WI U.S.A.  
[www.jwspeaker.com](http://www.jwspeaker.com) • [speaker@jwspeaker.com](mailto:speaker@jwspeaker.com) • 262.251.6660